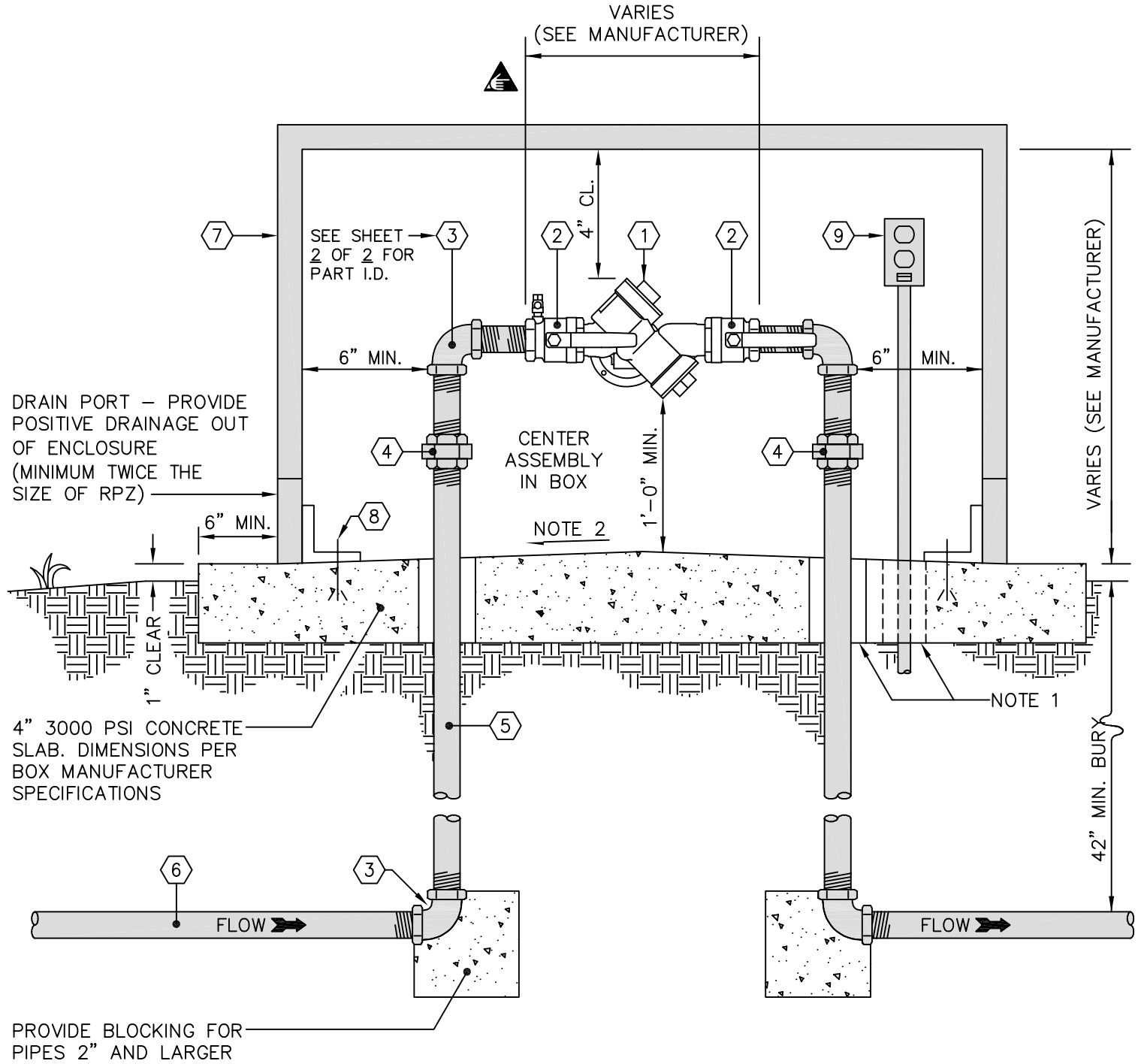


ELEVATION



400 Jones Ferry Road
PO Box 366
Carrboro, NC 27510-0366

ORANGE WATER AND SEWER AUTHORITY

USE WITH THE OWASA STANDARD SPECIFICATIONS ONLY

Voice (919) 968-4421
FAX (919) 968-4464
www.owasa.org

3/4" to 2" RPZ ASSEMBLY (ABOVE GROUND)

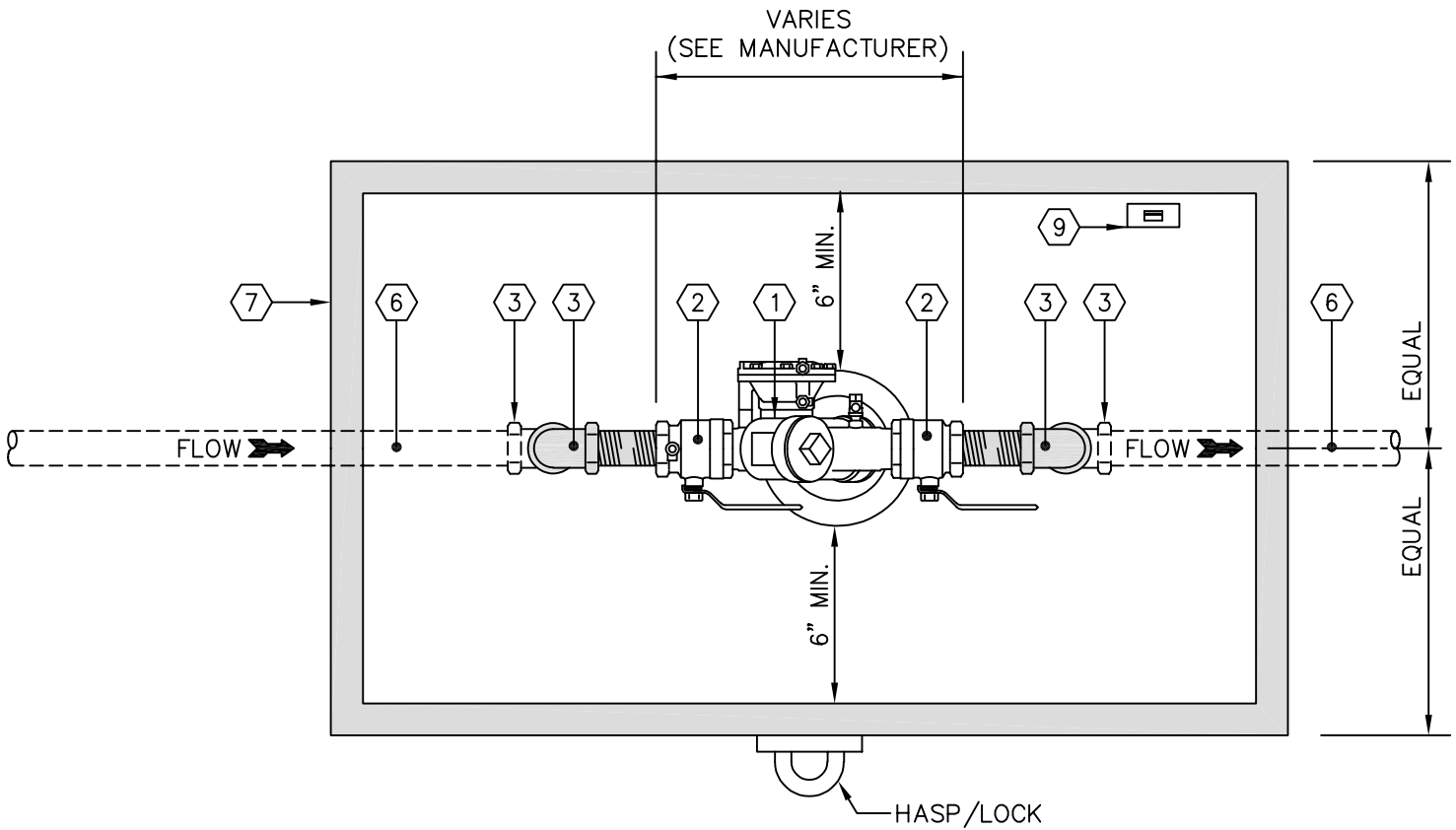
SCALE:
Not To Scale

DETAIL #
2515.06

REVISION DATE:
March 7, 2017

SHEET #:
1 of 3

PLAN VIEW



Quality Service
Since 1977

400 Jones Ferry Road
PO Box 366
Carrboro, NC 27510-0366

ORANGE WATER AND SEWER AUTHORITY

Voice (919) 968-4421
FAX (919) 968-4464

USE WITH THE OWASA STANDARD SPECIFICATIONS ONLY

www.owasa.org

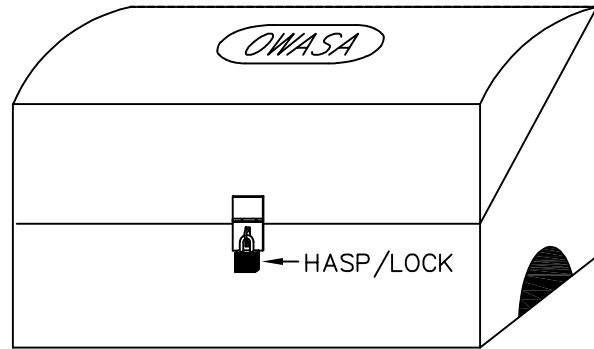
3/4" to 2" RPZ ASSEMBLY (ABOVE GROUND)

SCALE:
Not To Scale

DETAIL #
2515.06

REVISION DATE:
March 7, 2017

SHEET #:
2 of 3



TYPICAL ENCLOSURE

#	PART	MANUFACTURER MODEL / Cat No
1	BACKFLOW PREVENTION ASSEMBLY	SEE SPECS. 02510 - PRODUCTS
2	1/4 TURN FULL PORT BRONZE BALL SHUT-OFF VALVE	---
3	90° BRASS ELBOW	---
4	THREADED UNION	---
5	3/4" THROUGH 2 1/2" STAINLESS STEEL OR BRASS THREADED PIPE	---
6	3/4" THROUGH 2 1/2" STAINLESS STEEL OR BRASS THREADED PIPE	---
7	INSULATED ENCLOSURE WITH LOCKING ACCESS AND HEATER (120 V, 1 PHASE 60 HZ) VERIFY FITTINGS WILL FIT INSIDE BOX BEFORE ORDERING	HOTBOX / HB.75 - HB3E (OR APPROVED EQUIVALENT)
8	STAINLESS STEEL ANCHOR BOLTS PER BOX MANUFACTURER RECOMMENDED SIZE AND SPACING	---
9	PROVIDE 120V RECEPTACLE ON GFCI NEAR PIPE RISER (NOT REQUIRED FOR SINGLE FAMILY RESIDENTIAL), SET MINIMUM 18" ABOVE FLOOR	UL STD. 943-NEMA 3R.

NOTES:

1. Provide minimum 1" annular clearance around all risers and electrical conduit.
2. Slope floor to drain to ports at both ends.
Ensure positive surface grade away from enclosure.



Quality Service
Since 1977

400 Jones Ferry Road
PO Box 366
Carrboro, NC 27510-0366

ORANGE WATER AND SEWER AUTHORITY

USE WITH THE OWASA STANDARD SPECIFICATIONS ONLY

Voice (919) 968-4421
FAX (919) 968-4464
www.owasa.org

**3/4" to 2" RPZ
ASSEMBLY (ABOVE GROUND)**

SCALE:
Not To Scale

DETAIL #
2515.06

REVISION DATE:
January 8, 2024

SHEET #:
3 of 3